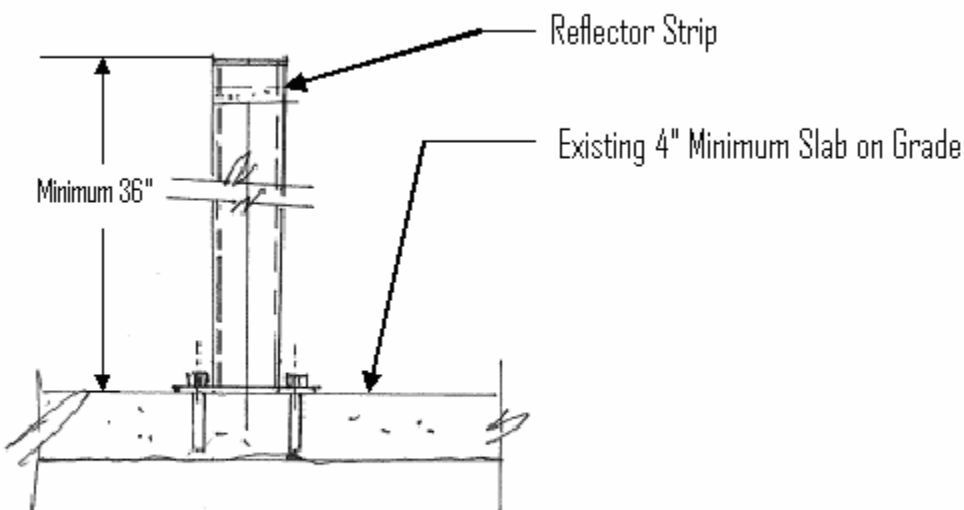
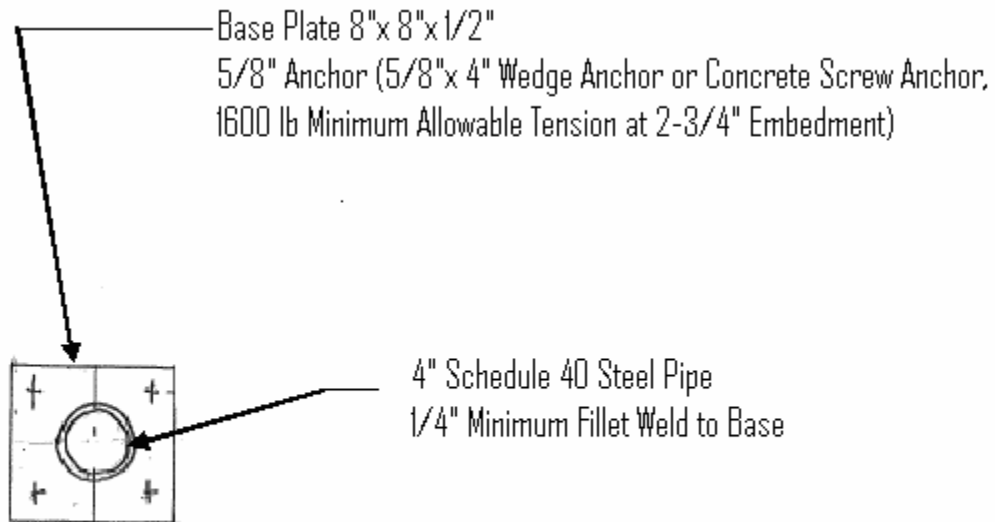


**Suggested: Bollard Protection
For Garage Water Heater Installation**

**Handout No. 2-22
Published: 12/13/10**



Commercially Available