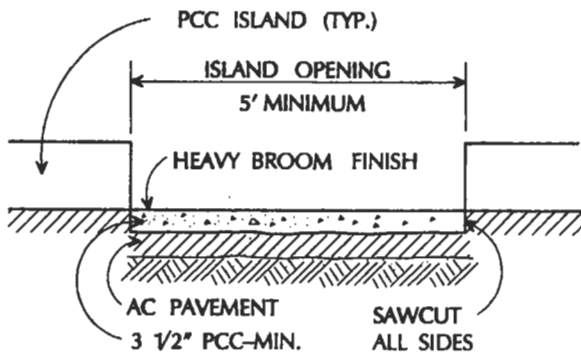
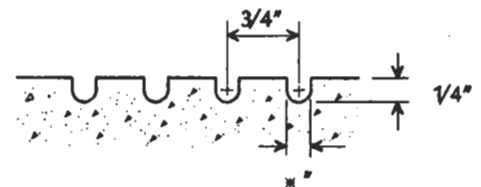
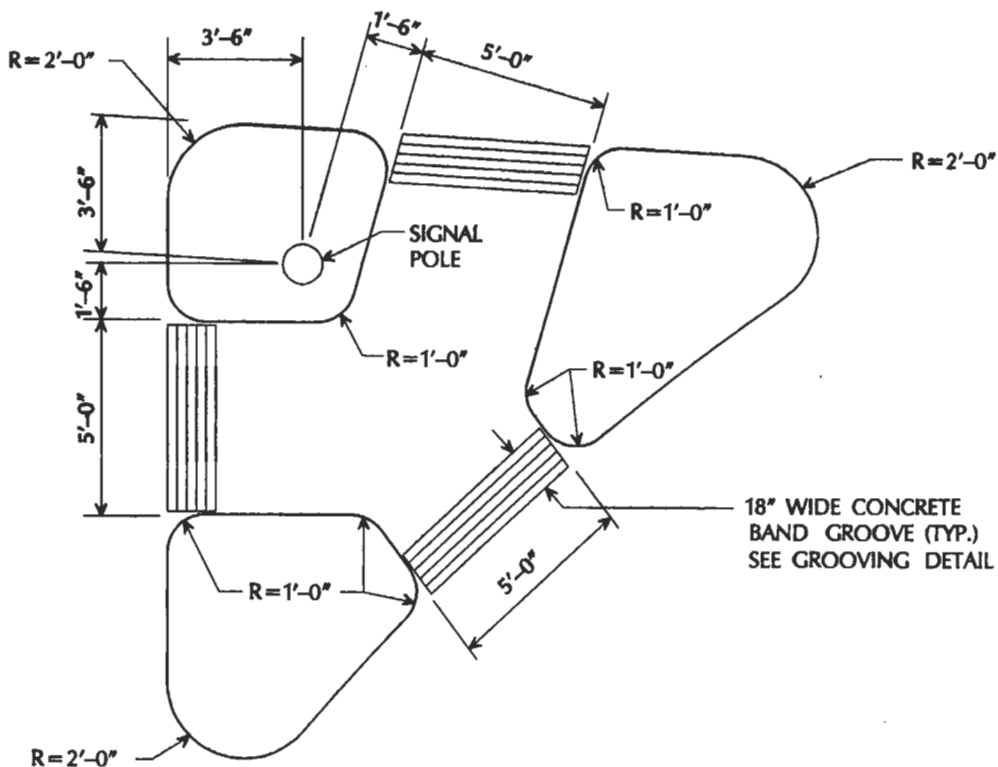


CONCRETE BAND
 ON-GRADE DETAIL



CONCRETE BAND ON
 EXISTING AC DETAIL



GROOVING DETAIL

APPROVED BY

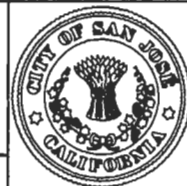
JPM

DATE

4/10/11

TRAFFIC ISLAND
 WALKWAY DETAIL

DEPARTMENT OF PUBLIC WORKS



DRAWING
 NO.

R-12