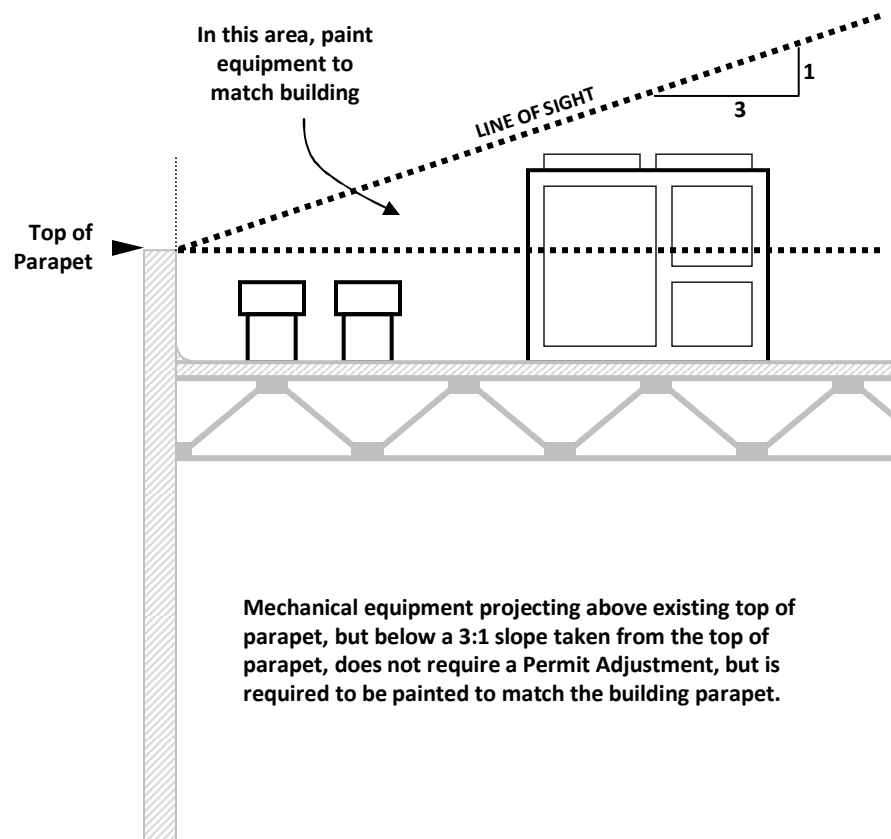
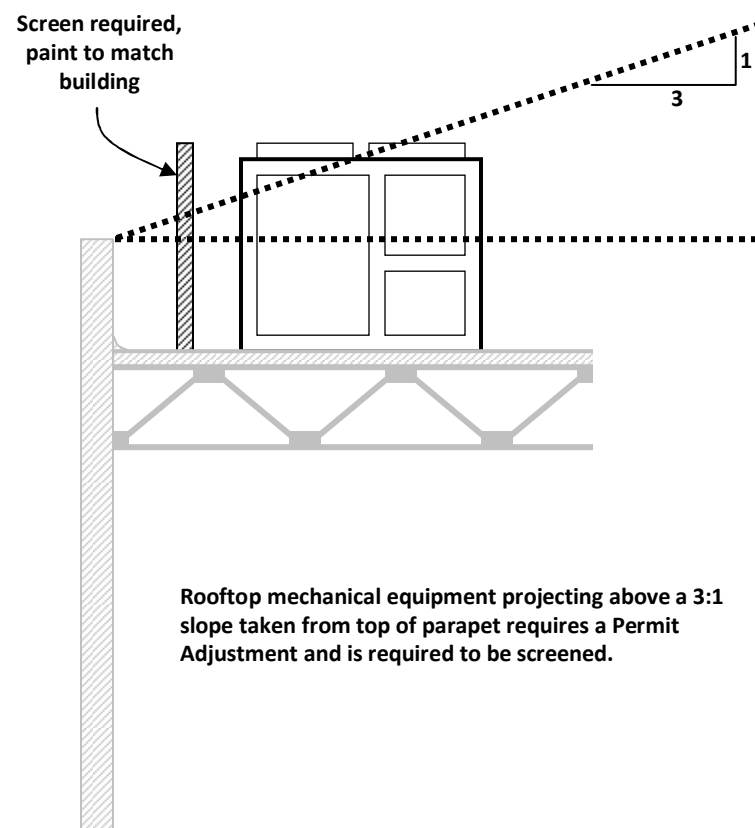


SAN JOSE PLANNING DEPARTMENT
PLANNING REVIEW FOR
ROOFTOP MECHANICAL EQUIPMENT

PERMIT ADJUSTMENT NOT REQUIRED



PERMIT ADJUSTMENT REQUIRED



ILLUSTRATIVE DIAGRAM – FOR REFERENCE ONLY
PK: 3/13/13 Loc: Phonecounter/FAQs/Illustrative Diagrams