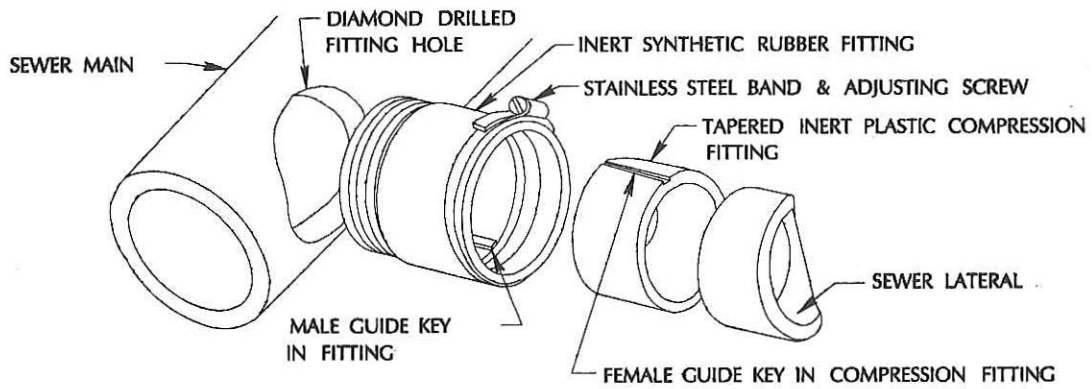
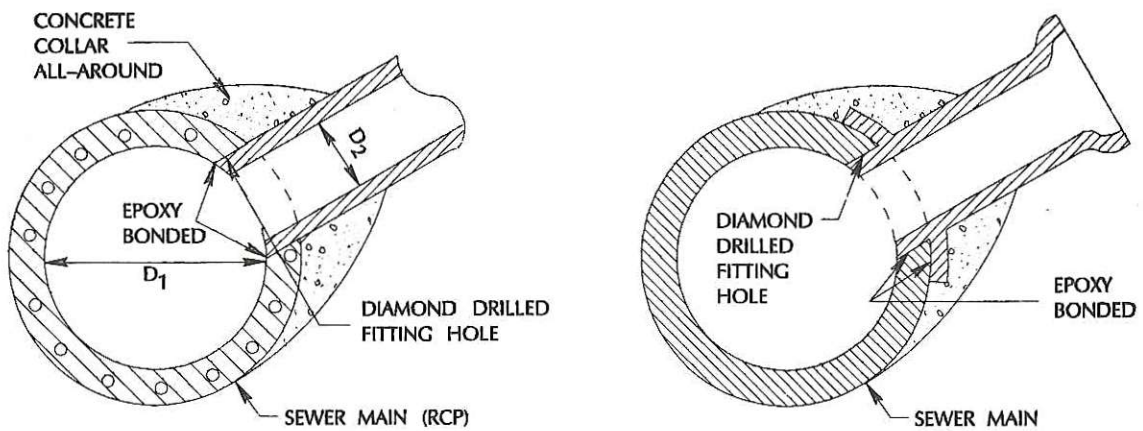


INSERTION OF FACTORY MADE WYE OR TEE



SYNTHETIC RUBBER WEDGED INSERT TEE

(MIN. DIFFERENTIAL OF TWO SIZES REQUIRED)



APPROVED BY

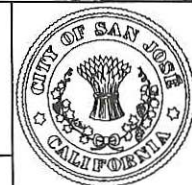
YV

DATE

4/1/92

**SIDE SEWERLATERAL
FITTINGS TO EXISTING MAINS**

DEPARTMENT OF PUBLIC WORKS



DRAWING NO.

D-3