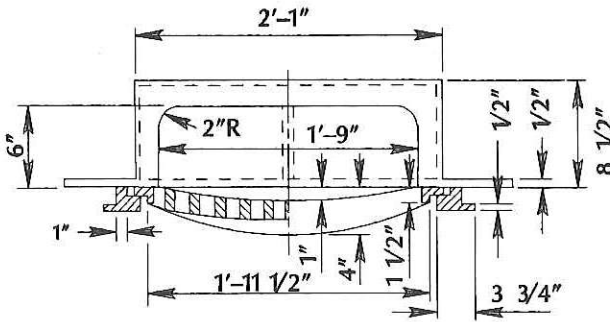
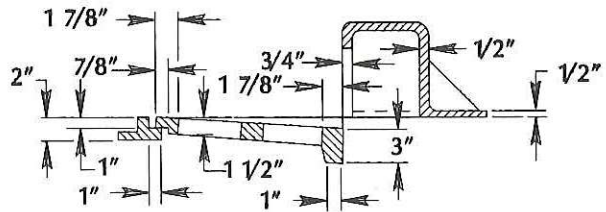


FOR BOX
DETAILS SEE
"STANDARD
FLAT GRATE
INLETS"

TYPICAL
INSTALLATION



REGULAR HOODED INLET



SECTION A-A

APPROVED BY

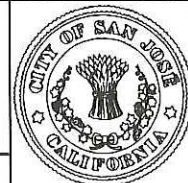
MRT

DATE

4/1/92

REGULAR HOODED
INLETS

DEPARTMENT OF PUBLIC WORKS



DRAWING
NO.

D-5