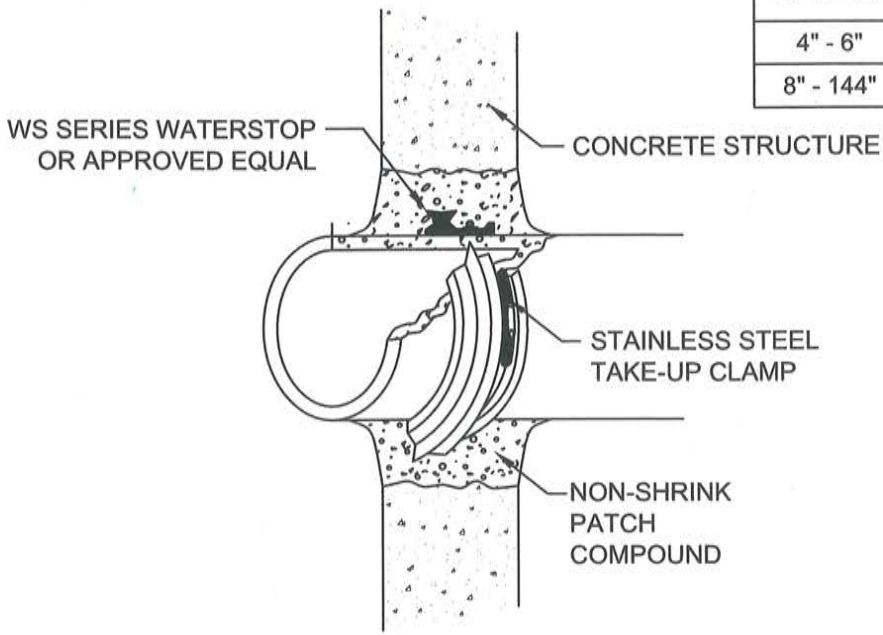
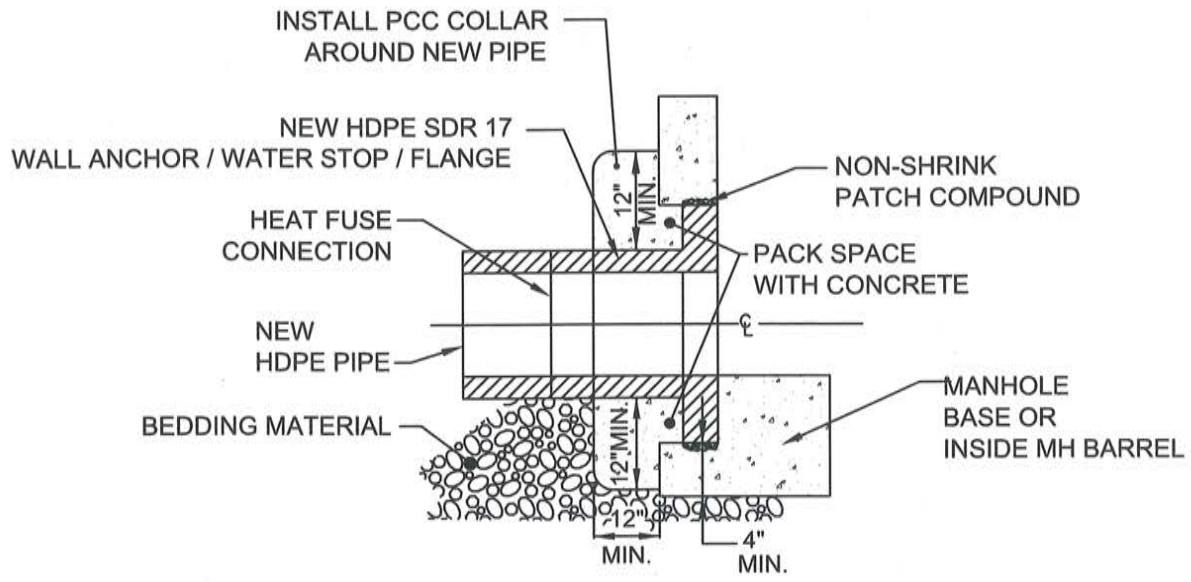


PIPE SIZE	WS SERIES WATERSTOP
4" - 6"	WS-25
8" - 144"	WS-30




**SYNTHETIC RUBBER WATERSTOP GASKET**  
(N.T.S.)



**HIGH DENSITY PLOYETHLENE (HDPE)**  
**WATER STOP FLANGE**  
(FOR HILLSIDE APPLICATION)  
(N.T.S)

**NOTE:**  
NEW CONCRETE BASE SHALL BE AT LEAST 3-INCHES ABOVE PIPE FLANGE.

APPROVED BY <i>MN</i>	<b>WATERSTOP FOR PLASTIC/DIP PIPE</b>	 <b>CITY OF SAN JOSE</b> CAPITAL OF SILICON VALLEY	DRAWING NO.
DATE <i>10/20/15</i>			DEPARTMENT OF PUBLIC WORKS