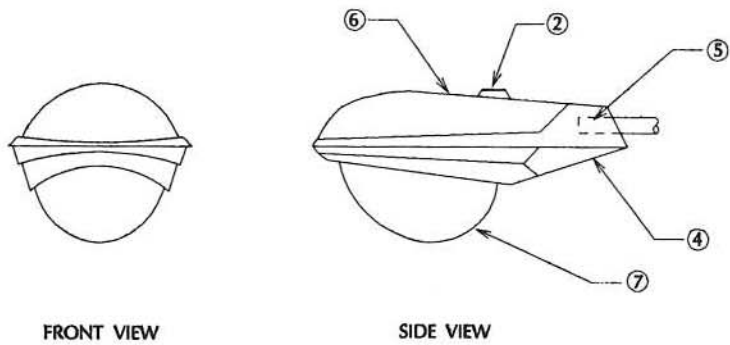


LOW PRESSURE SODIUM



HIGH PRESSURE SODIUM

NOTES:

- ① NON-CORROSIVE ABS PLASTIC HOUSING WITH U.V. INHIBITING KORADE FILM.
- ② EEI NEMA 3 PRONG PHOTOCONTROL WITH LOCKING RECEPTACLE OR SHORTING CAP AS REQUIRED
- ③ PRISMATIC ACRYLIC REFRACTOR WITH HIGH TEMPERATURE POLYESTER FIBER GASKET.
- ④ LATCHED AND HINGED DIE CAST ALUMINUM POWER POD ASSEMBLY WITH QUICK BALLAST DISCONNECT
- ⑤ INTERNAL FOUR BOLT SLIPFITTER ASSEMBLY ADJUSTABLE FOR 1 1/4" AND 2" MAST ARMS.
- ⑥ DIE CAST ALUMINUM HOUSING (UPPER AND LOWER SECTIONS)
- ⑦ PRISMATIC BOROSILICATE GLASS REFRACTOR WITH HIGH TEMPERATURE POLYESTER FIBER GASKET.

APPROVED BY

 DATE
 2/3/92

TYPICAL LUMINARE
LOW PRESSURE SODIUM
HIGH PRESSURE SODIUM

DEPARTMENT OF PUBLIC WORKS



DRAWING NO.
 E-10