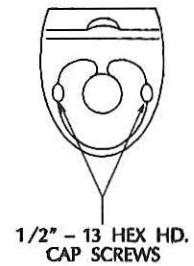
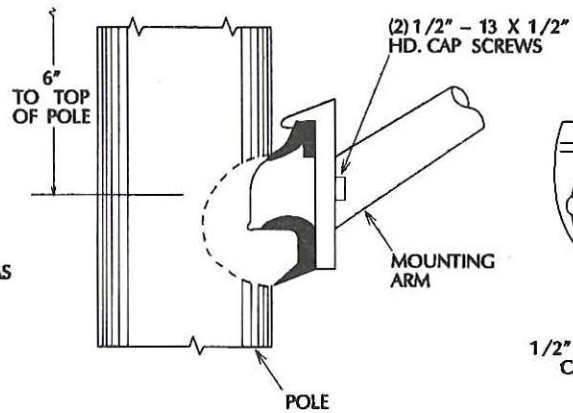
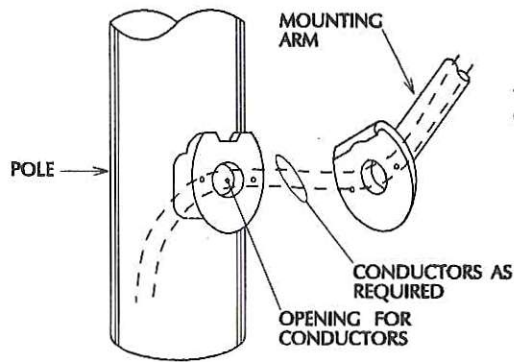


TYPE C



TYPE E

APPROVED BY

AWJ

DATE

3/3/92

**LIGHTING STANDARD - OCTAFLUTE
BRACKET ATTACHMENTS FOR
TYPE C AND E MOUNTING ARMS**

DEPARTMENT OF PUBLIC WORKS



DRAWING NO.

E-20