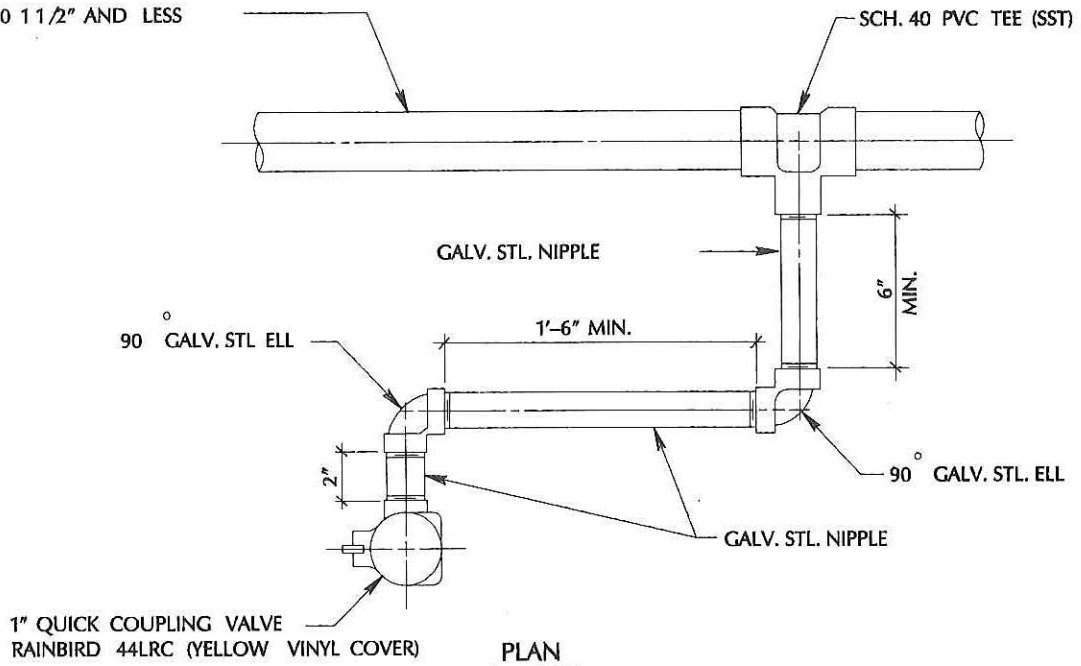
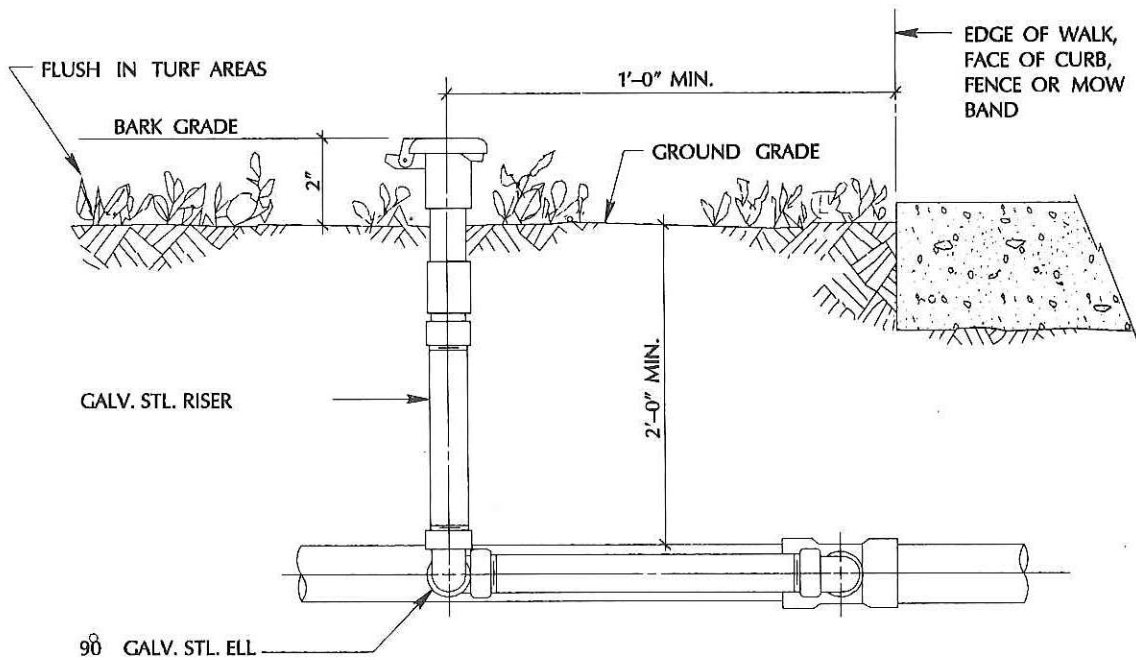


CLASS 315 PVC MAIN, 2" MIN.
SCH. 40 1 1/2" AND LESS



PLAN



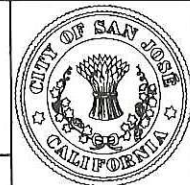
PROFILE

- NOTES:**
1. ALL GALVANIZED CONNECTIONS AND EXPOSED THREADED AREAS SHALL BE HEAVILY COATED WITH PIPE JOINT COMPOUND. TEFLON TAPE SHALL NOT BE ACCEPTABLE.
 2. STREET ELLS SHALL NOT BE ACCEPTABLE.

APPROVED BY
[Signature]
DATE
11/20/91

**QUICK COUPLING VALVE
(FOR PARKS, MEDIANS & BACK-UPS)**

DEPARTMENT OF PUBLIC WORKS



DRAWING NO.

L-3