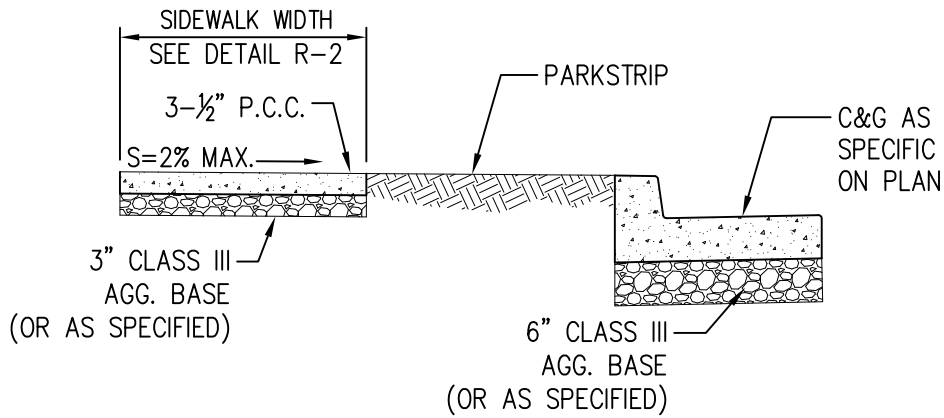


ATTACHED CONCRETE SIDEWALK

N.T.S.



DETACHED CONCRETE SIDEWALK

N.T.S.

NOTES

1. AGGREGATE BASE SHALL BE COMPACTED BY CITY STANDARD SPECIFICATIONS UNLESS OTHERWISE SPECIFIED ON THE PLANS OR PROJECT SPECIFICATIONS.
2. SUBGRADE SHALL BE COMPACTED TO 95% RELATIVE COMPACTION UNLESS OTHERWISE SPECIFIED ON THE PLANS OR PROJECT SPECIFICATIONS.

APPROVED BY

DATE

10/16/2020

**PCC SIDEWALK
CONFIGURATION DESIGN**

DEPARTMENT OF PUBLIC WORKS



DRAWING
NO.

R-2A