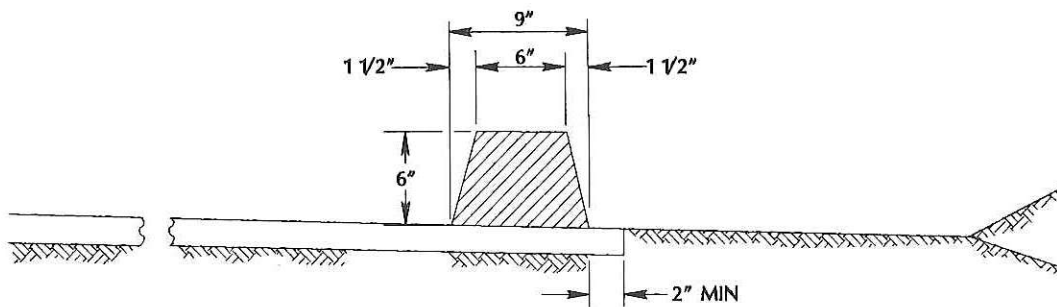


TYPE A



TYPE B

APPROVED BY

*J. D. M.*

DATE

*4/10/92*

**ASPHALT CONCRETE DIKE/BERM**

DEPARTMENT OF PUBLIC WORKS



DRAWING NO.

**R-19**