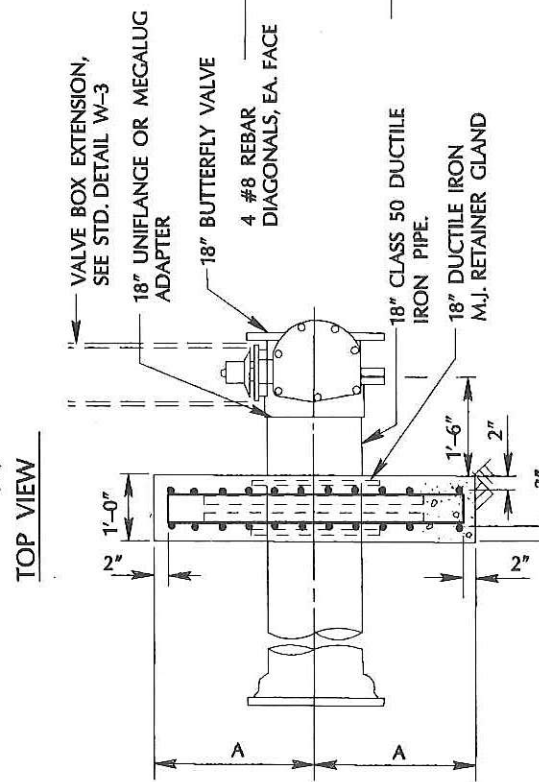
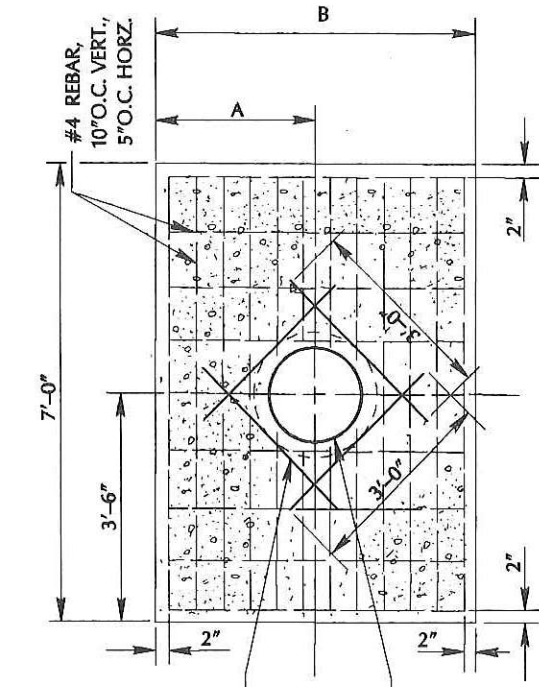
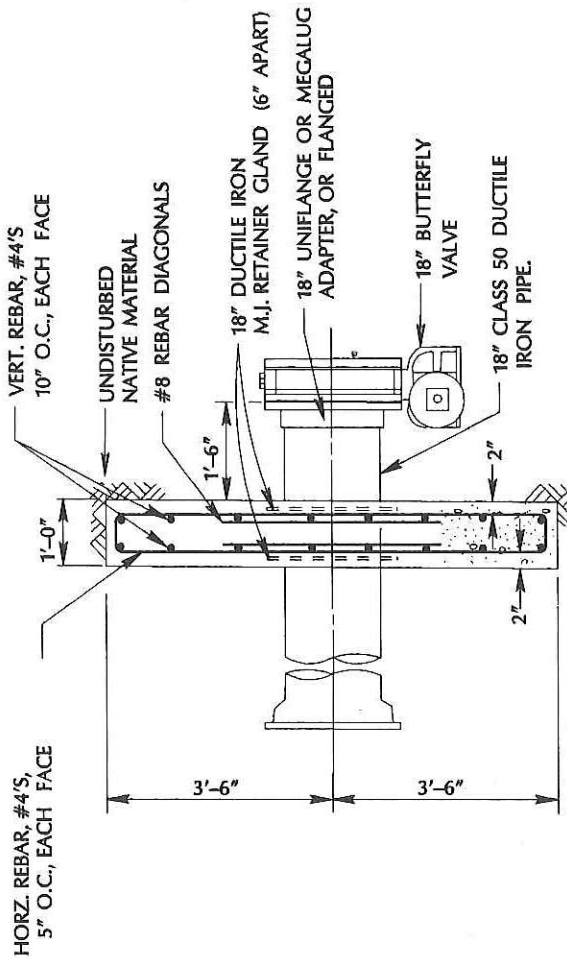


	200 PSI TEST	250 PSI TEST
A	2'-6"	3'-0"
B	5'-0"	6'-0"



APPROVED BY
[Signature]

DATE
[Signature]

**18" BUTTERFLY VALVE
ANCHOR BLOCK**

DEPARTMENT OF PUBLIC WORKS



DRAWING NO.
W-5