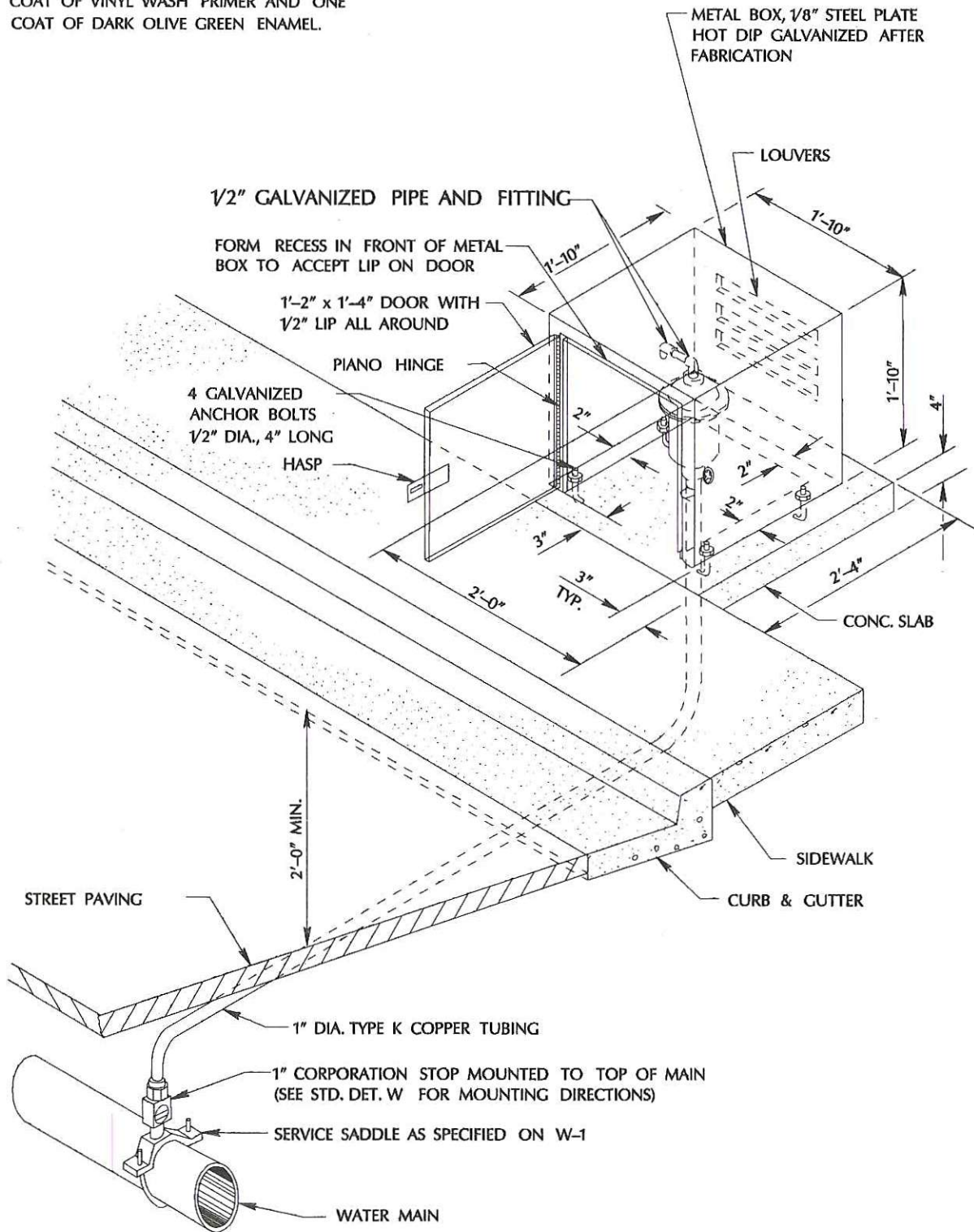


NOTE: PAINT METAL BOX AND DOOR,
 BOTH INSIDE AND OUTSIDE, WITH ONE
 COAT OF VINYL WASH PRIMER AND ONE
 COAT OF DARK OLIVE GREEN ENAMEL.



APPROVED BY

DATE

**AIR RELIEF VALVE & SAMPLING
 STATION ASSEMBLY**

DEPARTMENT OF PUBLIC WORKS



DRAWING
 NO.

W-12