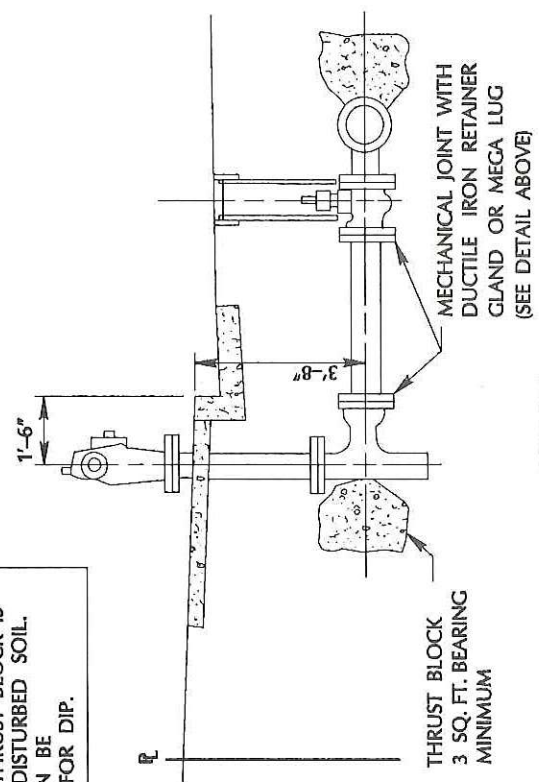
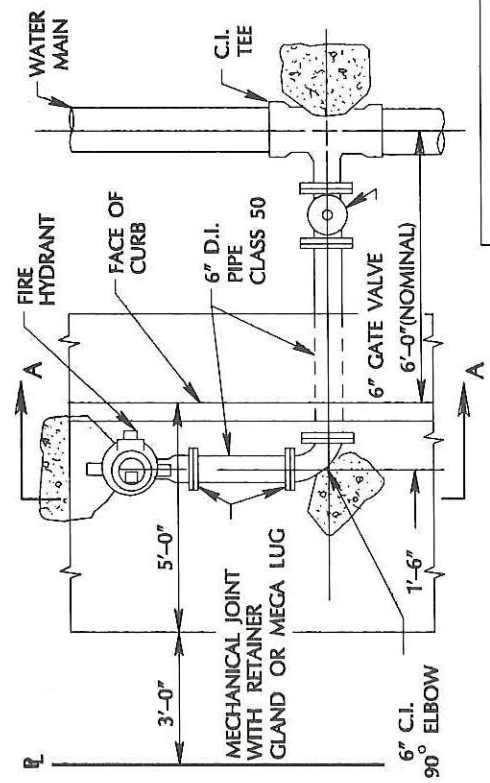


PLAN

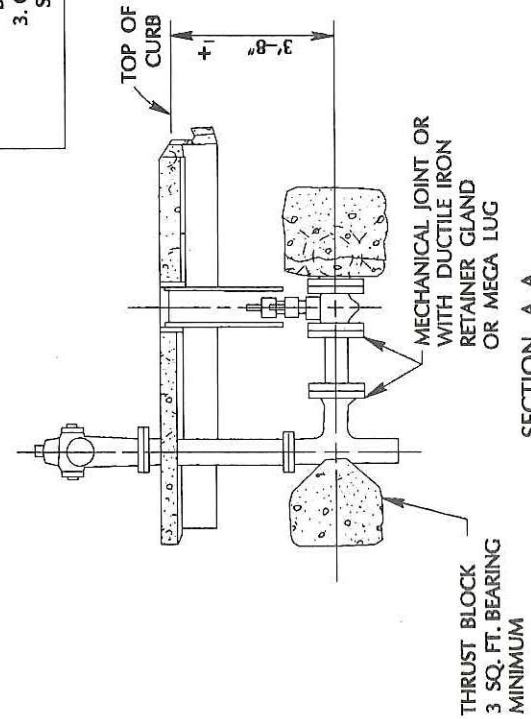


PROFILE

STRAIGHT LATERAL



PLAN



SECTION A-A

OFFSET LATERAL

- NOTES:
1. ENCASE ALL BURIED METALLIC SURFACES WITH POLYETHYLENE WRAP PER AWWA STD. C105 (8 MIL. MIN.)
  2. RETAINER GLAND OR MEGA LUG TO BE INSTALLED IF HYDRANT TEE THRUST BLOCK IS BEARING ON DISTURBED SOIL. C900 PVC CAN BE SUBSTITUTED FOR DIP.

APPROVED BY  
*[Signature]*  
DATE  
*[Date]*

**ATTACHED RESIDENTIAL SIDEWALK  
FIRE HYDRANT  
INSTALLATION-MID BLOCK**  
DEPARTMENT OF PUBLIC WORKS



DRAWING NO.  
**W-18**