

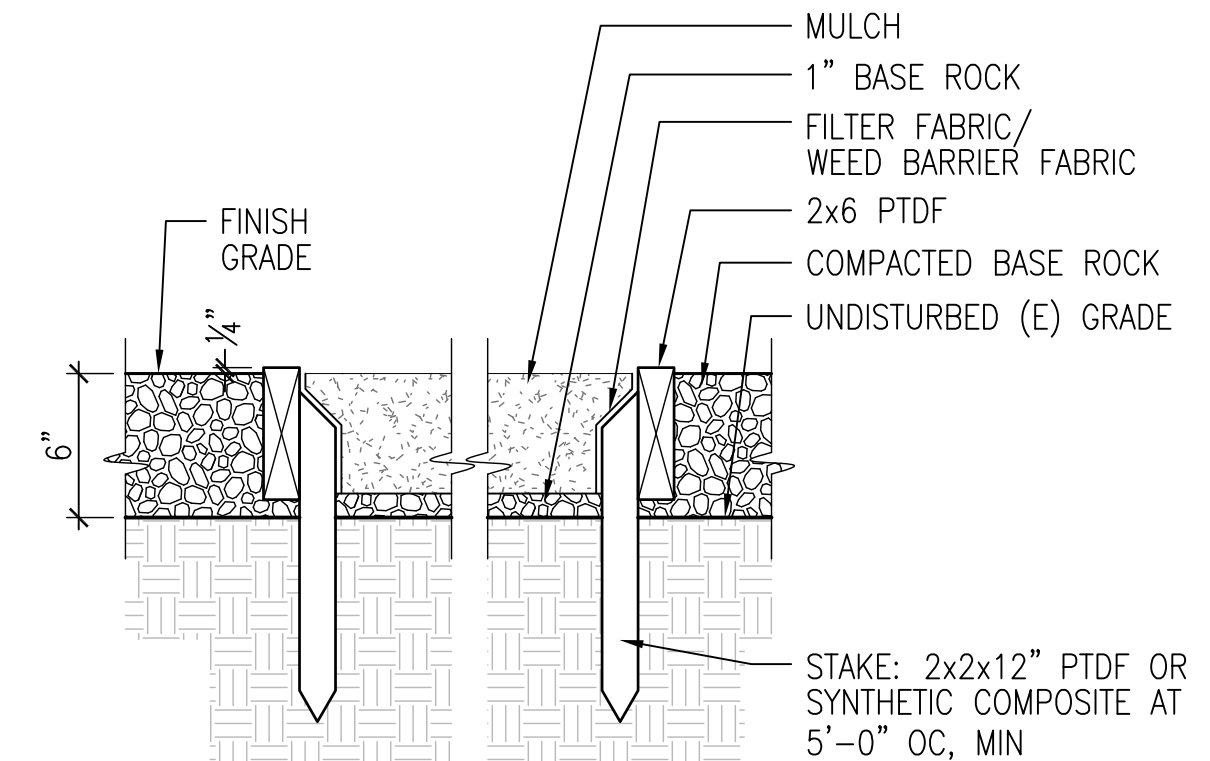
**LEGEND**

- HOSE BIB
- LIGHT WITH SENSOR ON BUILDING
- ELECTRICAL POST
- ELECTRICAL JUNCTION BOX
- PICNIC TABLE
- VEGETABLE PLANTERS, GALV. RAISED PLANTER 2' X 8' X 2'H
- TREE PLANTERS, GALV. RAISED PLANTER, 3' DIA X 2'H, TYP.

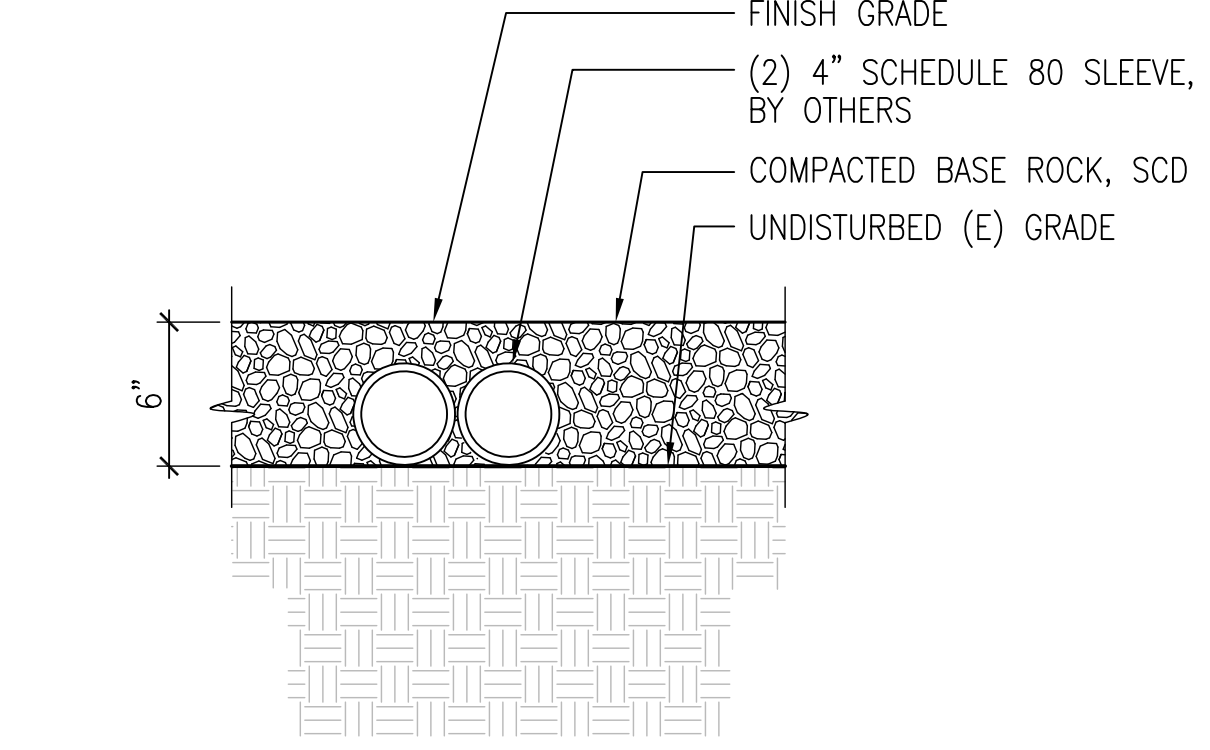
**MATERIAL TAKE OFFS**

TYPE	NOTES	AREA (SF)
AC PAVING	3" AC OVER 8" AGGREGATE	6,854
DG PAVING	3" QUARRY FINE OVER 3" AGGREGATE	3,420
MULCH	5" DEPTH OVER 1" BASE ROCK	8,317
WOOD DECK	WESTERN RED CEDAR	2,380
HEADER	HEADER AT MULCH	1,127 (LF)

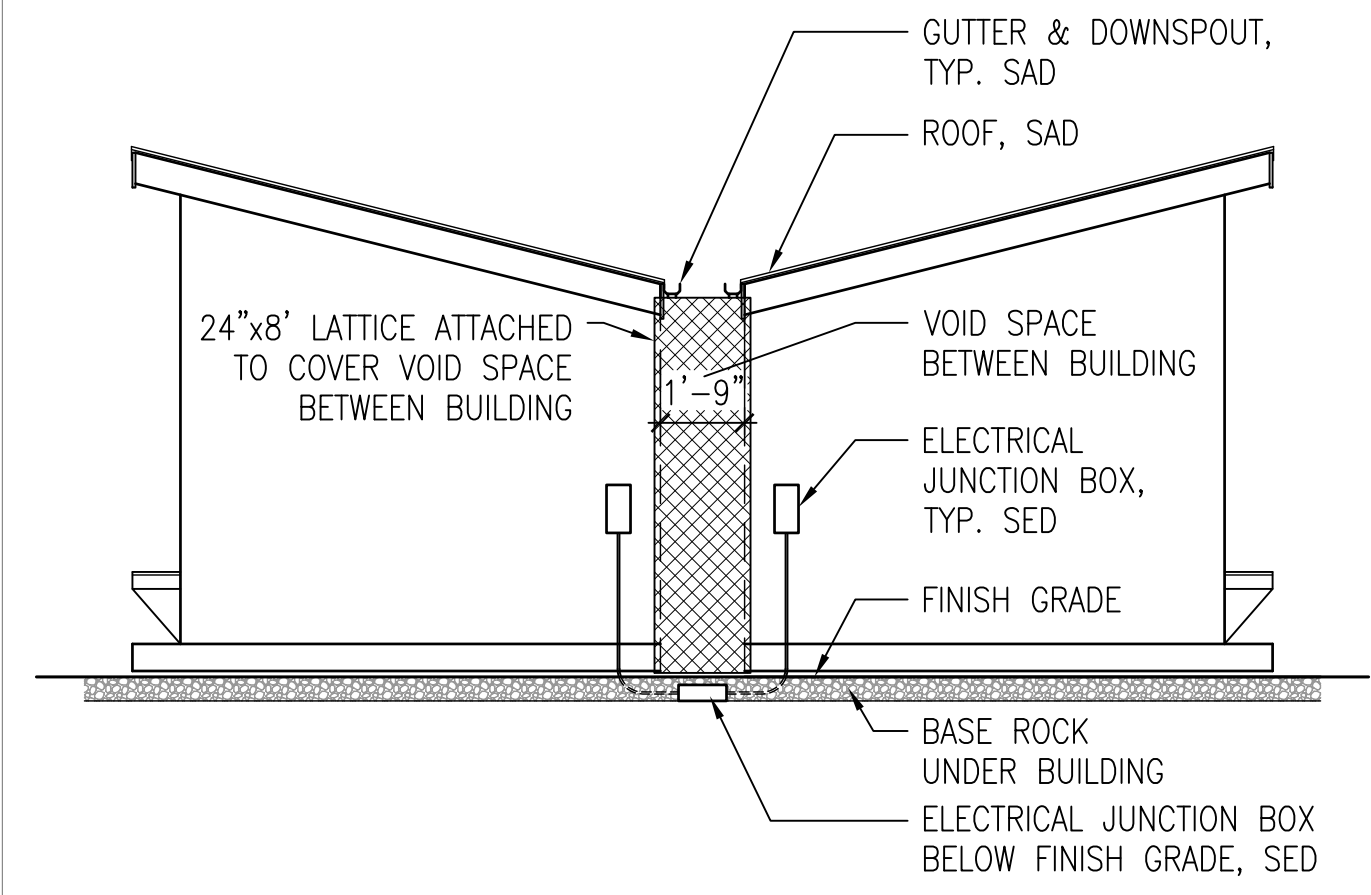
NOTE: TRAILERS, WOOD DECK, RAMPS, & MULCH TO BE INSTALLED ON EXISTING SOIL



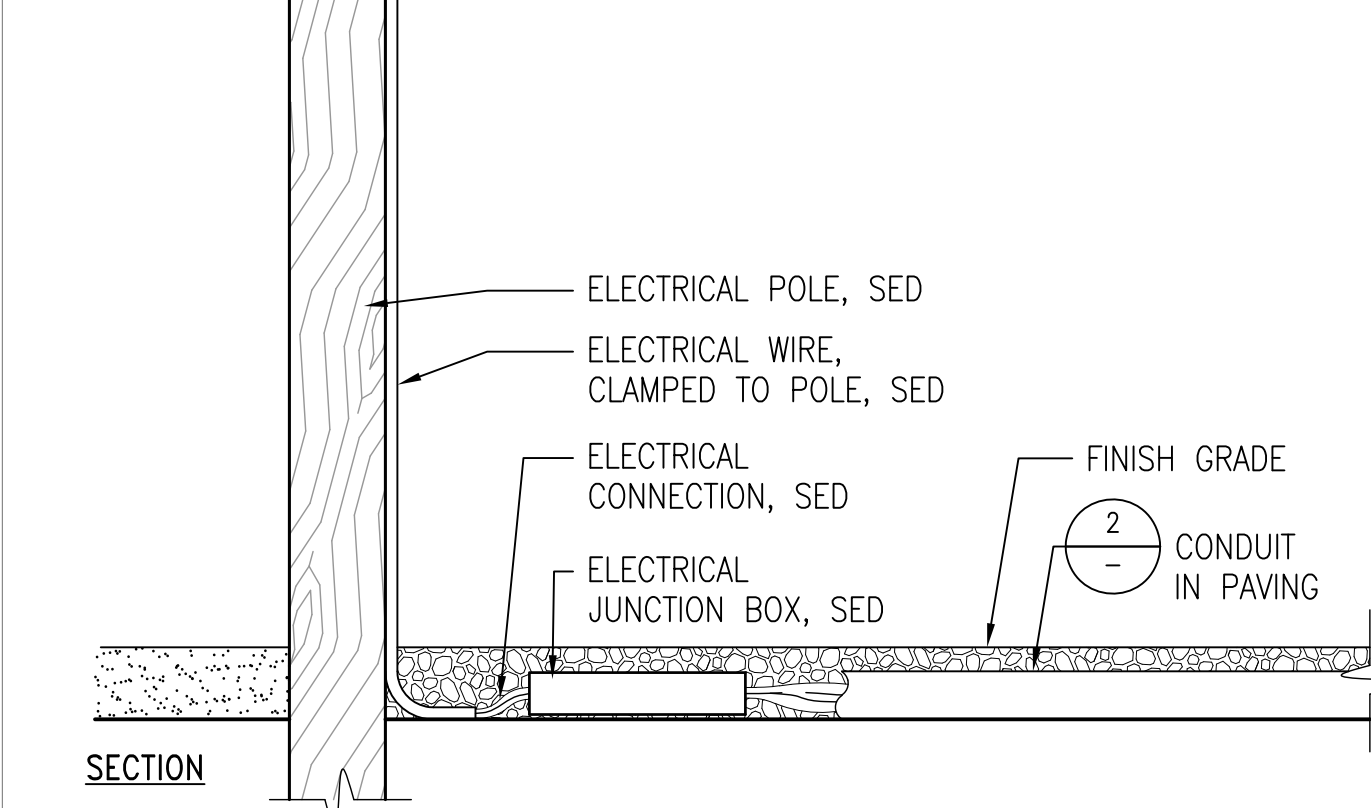
**1** HEADER AT BASE ROCK AND MULCH  
SCALE: 1-1/2"=1'-0"



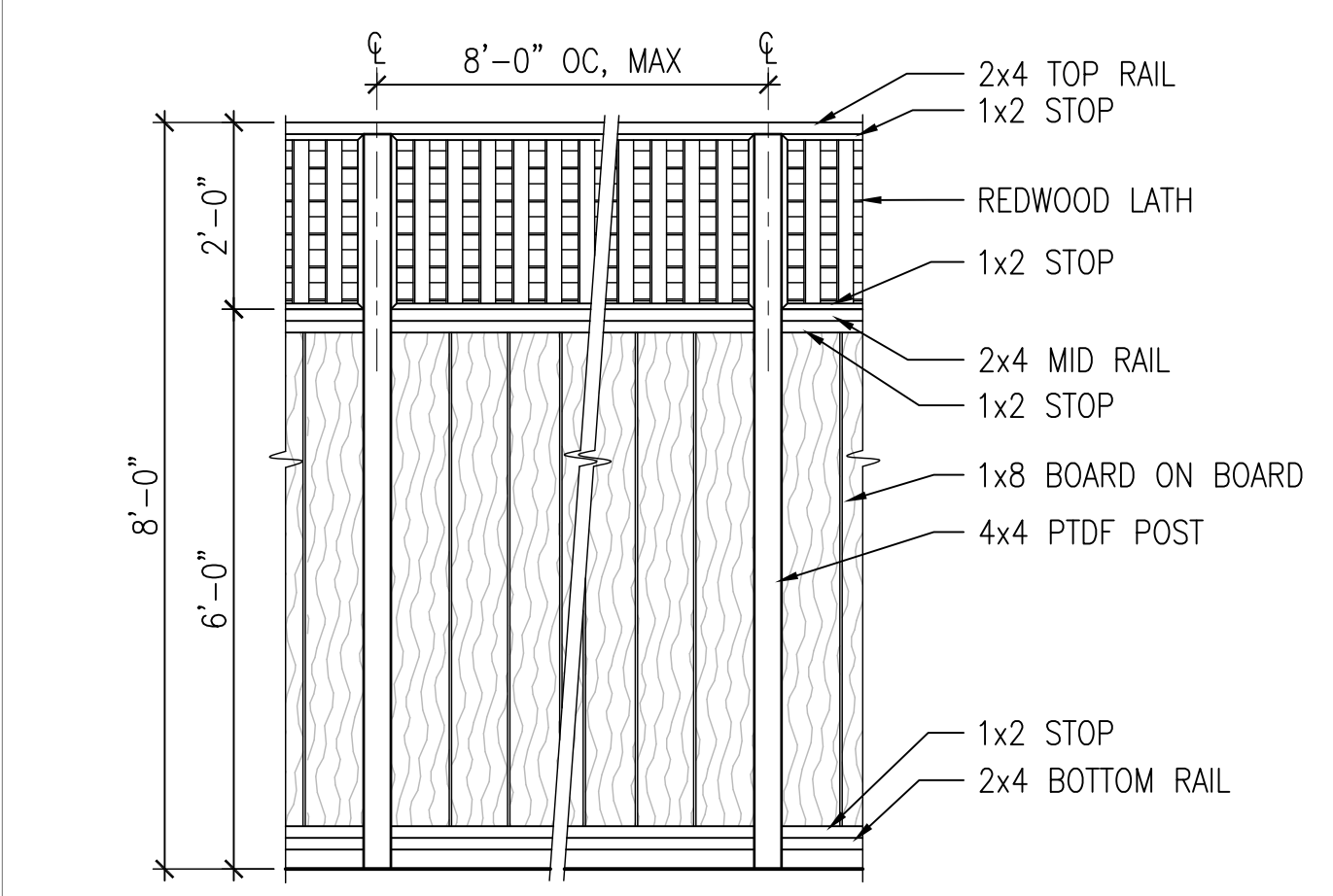
**2** CONDUIT / UTILITY IN PAVING  
SCALE: 1-1/2"=1'-0"



**3** ELECTRICAL CONDUIT - REAR ELEVATION  
SCALE: 1/4"=1'-0"



**4** ELECTRICAL JUNCTION BOX AT POST  
SCALE: 3/4"=1'-0"



**5** ELEVATION OF FENCE WITH LATTICE  
SCALE: 1/2"=1'-0"

