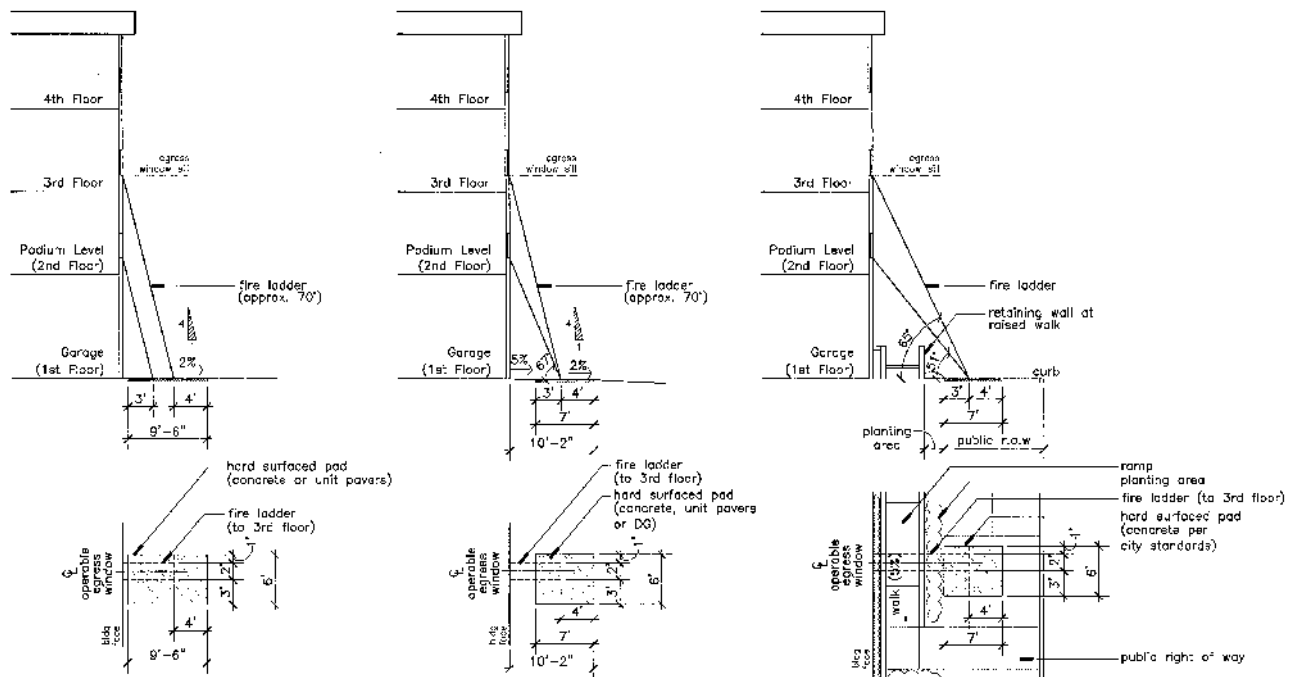




Exterior Emergency Escape and Rescue Opening Access

When exterior emergency escape and rescue openings are required by code, they shall be accessible by ladder as follows:

1. Provide straight access (compliant stairs may be used); 6 feet wide to court(s) harboring rescue windows. Illustrate that a 35 foot extension ladder folded to its carrying size of 14'-0" long by 2'-3" wide by 1'-0" thick, carried by a 3 person team can be maneuvered into all locations with rescue windows.
2. All rescue windows must be accessible. A Stable, Slip Resistant, Level Fire Ladder location (Pad) capable of supporting the weight of the ladder, the firefighter in gear, equipment, and the person to be rescued (no less than 1,000 pounds total). Pads may be of grass, gravel or other permeable materials capable of supporting the ladder without slipping. This Fire Ladder Pad shall be no less than 6'-0" wide by 7'-0" deep and shall allow the unobstructed raising of the ladder free of overhead obstacles. The extended ladder angle must be at least 70° from horizontal or 4:1 slope unless otherwise approved. Provide elevation and plan views with ladder details.



Fire Ladder Pad Diagrams

3. The installed Fire Ladder Pads shall be permanently marked "Fire Ladder Pad".

DOCUMENT REVISIONS

This document is subject to revisions. For general information and to verify that you have the most current document, please call (408) 535-7750, and request the current version.